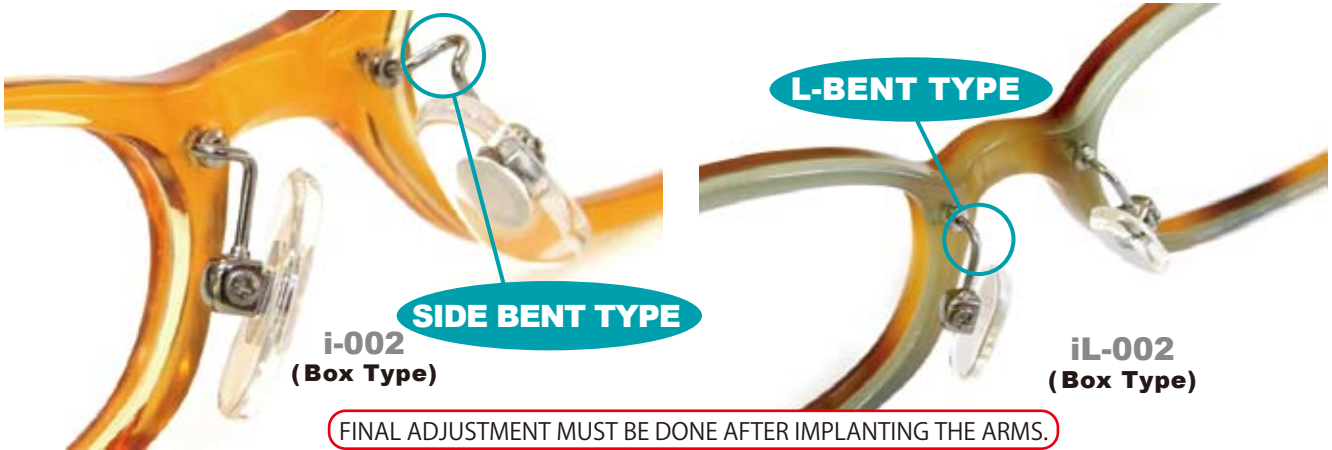


Don't worry about plastic frames fitting !

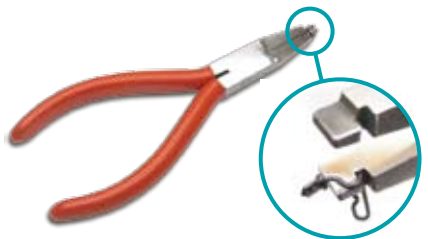
i-arm^{PAT.}

- SIDE BENT TYPE
- L-BENT TYPE

IMPLANTED NOSE PAD ARMS FOR PLASTIC FRAMES



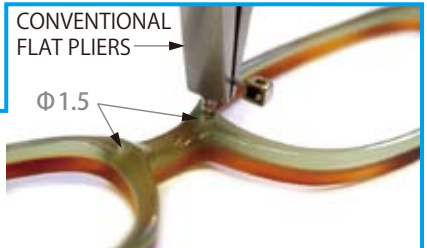
EASY TO IMPLANT BY DRILLING !







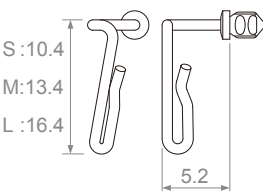
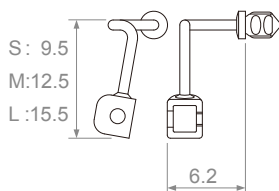
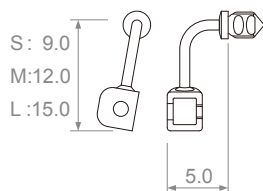
SPECIAL PLIERS FOR SIDE BENT TYPE (OPTIONAL TOOL)

GLUE FREE

CONVENTIONAL FLAT PLIERS CAN BE USED TO IMPANT L-BENT TYPE.



SIDE BENT TYPE	L-BENT TYPE	SIZE	COLOR	MATERIAL APPLICATION
i-001 (Clic-in Type) 		S M L	TITANIUM COLOR	<ul style="list-style-type: none"> ● ACETATE ● CELLULOID ● NYLON ● OPTIL
i-002 (Box Type) 	iL-002 (Box Type) 			

FEATURES	SIZE		
	SIDE BENT TYPE		L-BENT TYPE
<ul style="list-style-type: none"> ■ β-TITANIUM GIVES SUPERIOR LIGHTNESS AND FLEXIBILITY. ■ EASY IMPANTING IN ONE PUSH ■ EASY ADJUSTMENT FOR FINE FITTING. ■ 2 DIFFERENT TYPES ARE AVAILABLE (SIDE-BENT & L-BENT) ■ CAN BE IMPLANTED ON INJECTION MOLDED NYLON FRAMES. <p>※FOR DETAILS, PLEASE CONTACT US OR VISIT OUR WEB SITE AT http://ssmt.jp</p>	i-001(Clic-in Type) 	i-002(Box Type) 	iL-002(Box Type) 

SUN-RAY CORPORATION

TOMTOM BLDG 5F 1-16-7, KITAHORIE, NISHIKU, OSAKA 550-0014, JAPAN
 TEL (81) 6-6533-2300 FAX (81) 6-6533-2305 E-mail: noriko@sun-rayosa.co.jp