

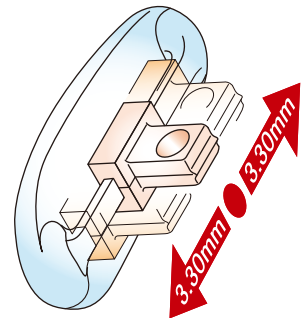
ADJUSTABLE PAD LOCATION FOR BETTER FIT!

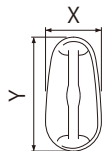
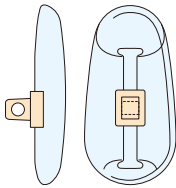
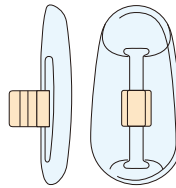
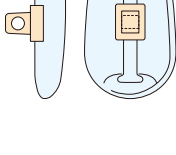
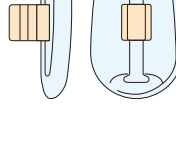
U & D Nose Pad

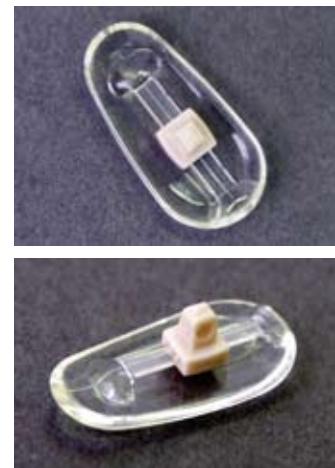
(U. S. A. PATENT 09228395)



Designed to provide the wearer with superior ease-of-adjustment for many occasions, the U&D Pad allows optimum use of eyewear as never before experienced. Eyewear takes on a whole new life! Easily adjusted pads will allow the wearer to have the perfect fit on the face at all times. With just a simple adjustment of the pad location on the slider, one pair of eyeglasses can be used for reading, nearsighted and far-sighted purposes. No longer will you need to have different frames for different uses!



Pad Size		BOX Type	Click-in Type
S	Y 15mm × X 7.3mm		
L	Y 18mm × X 9.0mm		



SRC ≡ **SUN-RAY CORPORATION** ≡

TOMTOM BLDG 5F 1-16-7, KITAHORIE, NISHIKU, OSAKA 550-0014, JAPAN
TEL (81) 6-6533-2300 FAX (81) 6-6533-2305 E-mail: noriko@sun-rayosa.co.jp